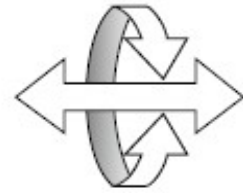


DNB-#50F 法兰轴套

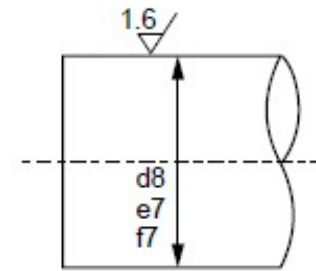
请从适用的内径、外径、长度中选择零件号

(例) 内径6mm、长度10mm的情况下

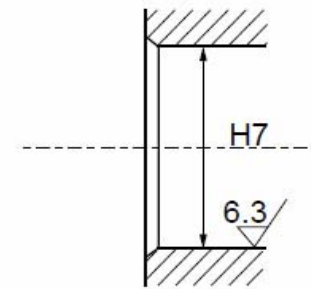
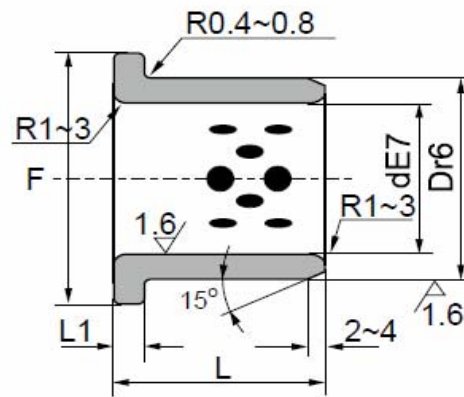
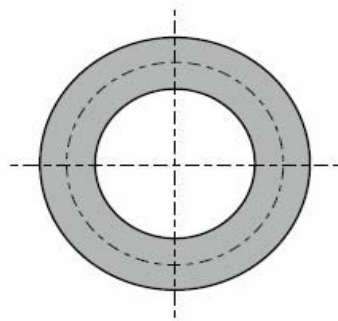
Ordering Code(examples) DNB-#50F-0610



运动方向
sliding direction



相配轴
Matching Shaft



相配座孔
Matching Housing

Unit: mm

内径		外径		法兰			长度Length -0.1 -0.3																
Inner diameter	Outer diameter	Outer diameter	Flange																				
Φd	Tolerance	ΦD	Tolerance	ΦF	t	Tolerance	10	12	15	17	18	20	23	25	30	35	40	50	60	67.5	80	100	120
6	+0.032 +0.020	10	+0.028 +0.019	16	2	0 -0.1	0610	0612															
8	+0.040 +0.025	12	+0.034 +0.023	20	"	"	0810	0812	0815														
10	"	14	"	22			1010	1012	1015	1017		1020											
12	+0.050 +0.032	18	"	25	3	"	1210	1212	1215			1220		1225	1230								
13	"	19	+0.041 +0.028	26	"	"	1310	1312	1315			1320		1325	1330								
14	"	20	"	27	"	"	1510		1415			1420		1425									
15	"	21	"	28	"	"		1512	1515			1520		1525	1530								
16	"	22	"	29	"	"		1612	1615		1618	1620	1623	1625	1630	1635	1640						
18	"	24	"	32	"	"			1815			1820		1825	1830	1835	1840						
20	+0.061 +0.040	30	"	40	5	"			2015			2020		2025	2030	2035	2040						
25	"	35	+0.050 +0.034	45	"	"			2515			2520		2525	2530	2535	2540	2550					
30	"	40	"	50	"	"						3020		3025	3030	3035	3040	3050					
31.5	+0.075 +0.050	40	"	"	"	"						3120			3130	3135	3140						
35	"	45	"	60	"	"						3520		3525	3530	3535	3540	3550					
40	"	50	"	65	"	"						4020		4025	4030	4035	4040	4050					
45	"	55	+0.060 +0.041	70	"	"									4530	4535	4540	4550	4560				
50	"	60	"	75	"	"									5030	5035	5040	5050	5060				
55	+0.090 +0.060	65	"	80	"	"											5540		5560				
60	"	75	+0.062 +0.043	90	7.5	"											6040	6050	6060		6080		

